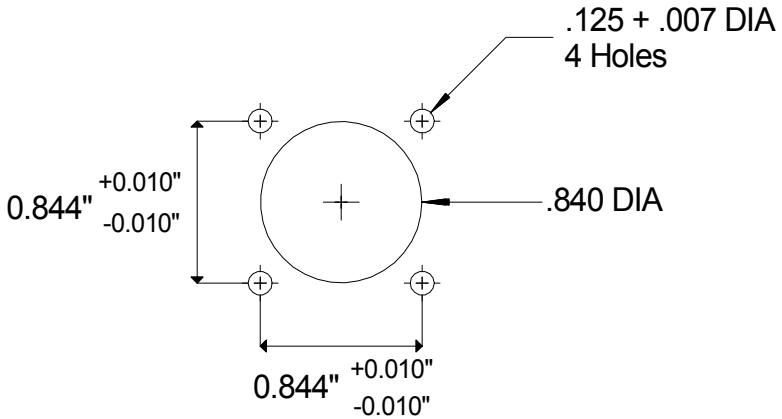




REVISIONS				
ZONE	REV	DESCRIPTION	DATE	APPROVED
-		Original Release	10 Jan 2004	RGS



DO NOT SCALE PRINT
UNLESS SPECIFIED
DIMENSIONS IN INCHES
TOLERANCES ON:
2 PLC DEC \pm -
3 PLC DEC \pm .005
ANGLES \pm -

Randy Schmidt Consulting

AMP Panel Cutout
Part Number 206486-1 / 206486-2

SIZE B	FSCM NO.	DWG NO.	N/A	REV -
SCALE 1:1	SHEET		1 of 1	

